

Load links | Available with SmartLoad® technology



V1.0



Scotload's cost effective load links enable accurate and reliable load monitoring.

Our links are designed to minimise stress concentrations and maximise strength. The design incorporates features which maximise reliability, minimise the risk of damage and ensures ease of use.

Manufactured from high tensile, aerospace grade anodised aluminium, our load links are suitable for use across all industry sectors including marine and offshore. They are fully Finite Element Analysis (FEA) optimised and destructively tested.

We have a range of links in stock, up to 500 tonnes for purchase or hire, and ready for immediate dispatch. Larger capacities are available on request and all of our load links are supplied with full calibration and proof load certificates.

Options

- Available with SmartLoad® technology
- Cabled or wireless
- Hazardous area Zone 1 and 2
- Built in display - Visilink

Features and benefits

- Industry leading safety factor
- In link data logging
- Latest wireless technology
- Internal antenna
- Compatible with SmartLoad® COG system
- Corrosion resistant design
- Use with any SmartLoad® hand held or wall mounted display

Typical specifications	mV/V output	mA output	Wireless output
Rated load	As required		
Proof load	150% of rated load		
Non linearity	< ± 0.25% of full scale		
Non repeatability	< ± 0.05% of full scale		
Zero balance	< ± 0.05% of full scale		
Environmental protection	IP67 / IP68		
Safety factor	5x minimum		
Operating temperature	-25°C to +70°C		
Storage temperature	-30°C to +80°C		
Cable connection	Gland or connector		N/A
Cable length	5m as standard		N/A
Output signal	mV/V	4-20mA	Wireless
Electrical connection	4 core	2 or 3 wire	N/A
Recommended excitation voltage	10V	N/A	N/A
Maximum excitation voltage	15V	N/A	N/A
Recommended supply voltage	N/A	24V	N/A
Maximum excitation voltage	N/A	30V	N/A
Bridge resistance	1000 Ohm	N/A	N/A
Sensitivity	1.5mV/V nominal	N/A	N/A
Data logging	N/A	N/A	On load cell
Battery type	N/A	N/A	2 x AA
Active battery life	N/A	N/A	Up to 200 hours
Standby battery life	N/A	N/A	Up to 1400 hours
Telemetry frequency	N/A	N/A	2.4Ghz ISM
System range	N/A	N/A	Up to 350m
Sampling rate	N/A	N/A	10Hz (500Hz max)



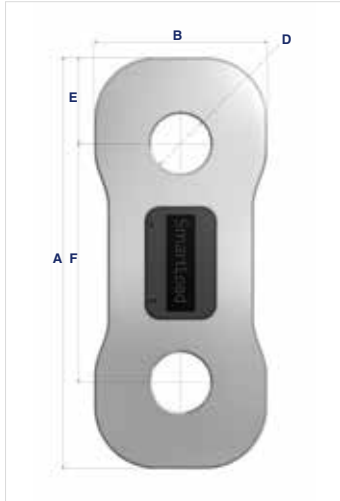
SmartLoad® load links are available for use in hazardous area Zones 1 and 2



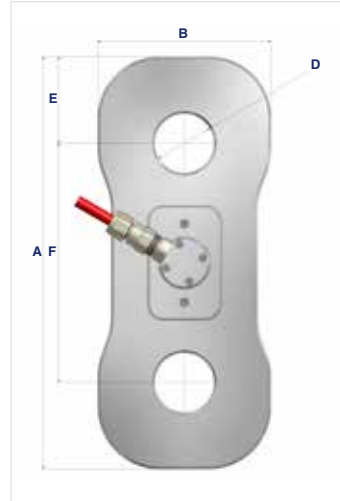
Due to continuous development, Scotload reserves the right to change specifications without notice.

Load link typical dimensions

Wireless load link



Cabled load link



Load links typical dimensions - bespoke design available on request

Product code (wireless)	TEN 9250	TEN 9251	TEN 9252	TEN 9253	TEN 9254	TEN 9255	TEN 9256	TEN 9257	TEN 9258	TEN 9259	TEN 9260	TEN 9261	TEN 9262	TEN 9263
Product code (cabled)	TEN 9627	TEN 9628	TEN 9629	TEN 9630	TEN 9631	TEN 9632	TEN 9633	TEN 9634	TEN 9635	TEN 9636	TEN 9637	TEN 9638	TEN 9639	TEN 9640
Load rating (tonnes)	2	5	12.5	25	35	50	75	120	150	200	250	300	400	500
Weight (kg)	1.3	1.8	3.5	7	10.8	17.3	29.5	56.5	78.9	122	158	203	304	408
A mm	230	250	300	350	400	450	480	550	620	730	790	860	1020	1120
B mm	74	84	108	144	168	202	244	270	290	340	390	430	520	560
C mm	24	32	50	65	75	90	110	141	161	170	189	189	205	230
D mm	20	26	40	52	58	71	84	97	110	133	143	153	178	188
E mm	37	37	54	72	84	101	122	130	150	180	200	225	270	310
F mm	156	176	192	206	232	248	236	290	320	370	390	410	480	500
G mm (wireless)	50	48	N/A	N/A	N/A	N/A	N/A	N/A	N/A	N/A	N/A	N/A	N/A	N/A
G mm (cabled)	81	79	81	96	106	121	141	172	192	201	220	220	236	261

Visilinks - built in display load links

Scotload's Visilink load cells include a clear visual display within the load cell itself.

Features and benefits:

- SmartLoad® technology
- Can be controlled via the load cell menu
- Can be used with SmartLoad® wireless displays
- Logging capabilities
- Can be used with SmartLoad® software packages



Typical specifications	Display only	With wireless
Rated load	As required	
Proof load	150% of rated load (dependent on rope capacity)	
Non linearity	< ± 0.25% of full scale	
Non repeatability	< ± 0.05% of full scale	
Zero balance	< ± 0.05% of full scale	
Environmental protection	IP67 / IP68	
Safety factor	5x	
Operating temperature	-25°C to +70°C	
Storage temperature	-30°C to + 80°C	
Battery type	2 x AA	
Viewing area	30.78 x 25.02 mm	
Screen resolution	160 x 128	
Pixel density	141 PPI	
Display technology	OLED	
Battery life (active)	65 - 240 hours*	60 - 200 hours*
Battery life (standby)	~ 6 months	
Telemetry frequency	N/A	2.4GHz
System range	N/A	250 m
Data rate	1 - 5Hz	0.1 - 20Hz

* Depending on screen brightness

We are always happy to help find the appropriate, tailored solutions for your business needs. If you have any requests or suggestions please do not hesitate to contact us.

Scotload, Unit 14, Enterprise Drive, Westhill, Aberdeen, AB32 6TQ, UK

Load shackles | Available with SmartLoad® technology



V1.0



Scotload's robust load shackles are ideal for lifting and weighing applications where there is limited headroom.

Our load shackles are manufactured from GN or Van Beest shackles as standard, but other manufacturers are available on request.

We provide a fully stainless steel construction (excluding bow) up to 85 tonnes as standard, and fully stainless steel construction for 120 tonnes and above upon request.

We have a large range of shackles available in stock up to 1000 tonnes for purchase or hire, and ready for immediate dispatch. Larger capacities are available on request and all of our load shackles are supplied with full calibration and proof load certificates.

Options

- Available with SmartLoad® technology
- Cabled or wireless
- Hazardous area Zone 1 and 2
- Subsea - with ROV / diver mateable connectors
- Bow or D type

Features and benefits

- Internally gauged, fully welded and hermetically sealed
- Robust construction
- Internal antenna
- In stock available for immediate dispatch
- Stainless steel centralising load bobbin as standard
- Robust stainless steel protection cage for electronics

Typical specifications	mV/V output	mA output	Wireless output
Rated load	As required		
Proof load	150% of rated load		
Non linearity	< ± 1% of full scale		
Non repeatability	< ± 0.01% of full scale		
Zero balance	< ± 0.01% of full scale		
Environmental protection	IP67 / IP68		
Safety factor	3x		
Operating temperature	-25°C to +70°C		
Storage temperature	-30°C to + 80°C		
Cable connection	Gland or connector		N/A
Cable length	5m as standard		N/A
Output signal	mV/V	4-20mA	Wireless
Electrical connection	4 core	2 or 3 wire	N/A
Recommended excitation voltage	10V	N/A	N/A
Maximum excitation voltage	15V	N/A	N/A
Recommended supply voltage	N/A	24V	N/A
Maximum excitation voltage	N/A	30V	N/A
Bridge resistance	700 Ohm	N/A	N/A
Sensitivity	2.0mV/V nominal	N/A	N/A
Data logging	N/A	N/A	On load cell
Battery type	N/A	N/A	4 x AA
Active battery life	N/A	N/A	Up to 350 hours
Standby battery life	N/A	N/A	Up to 1700 hours
Telemetry frequency	N/A	N/A	2.4Ghz ISM
System range	N/A	N/A	Up to 350m
Sampling rate	N/A	N/A	10Hz (500Hz max)



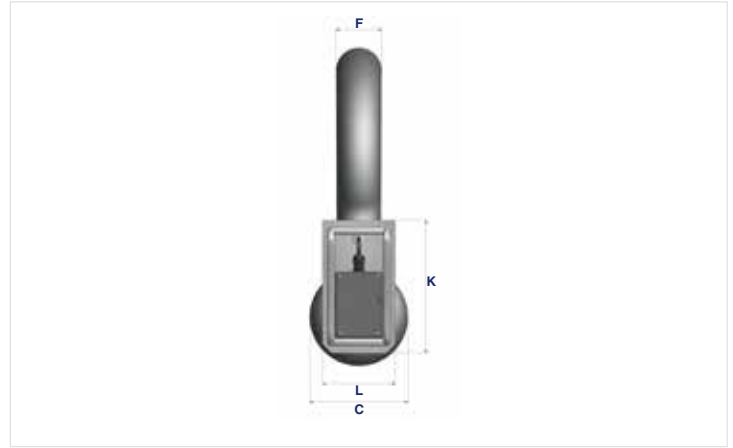
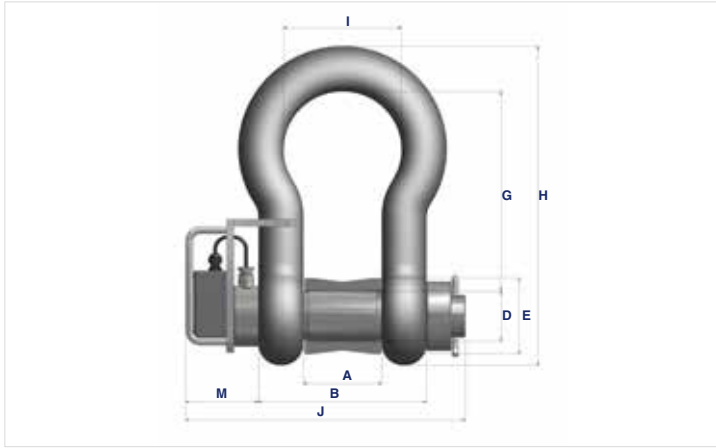
SmartLoad® load shackles are available for use in hazardous area Zones 1 and 2



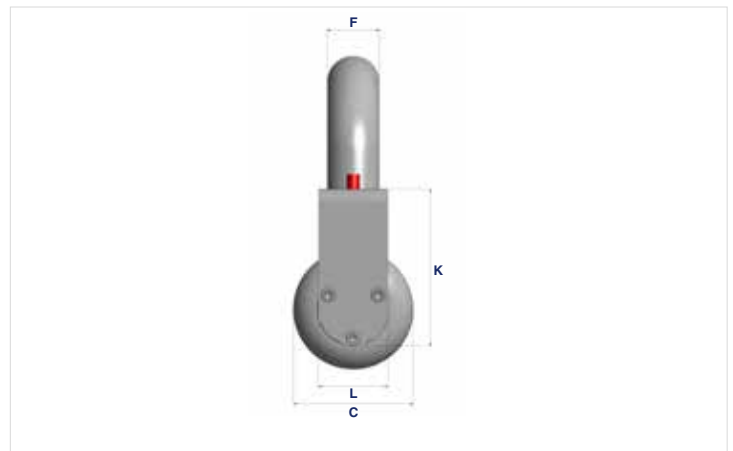
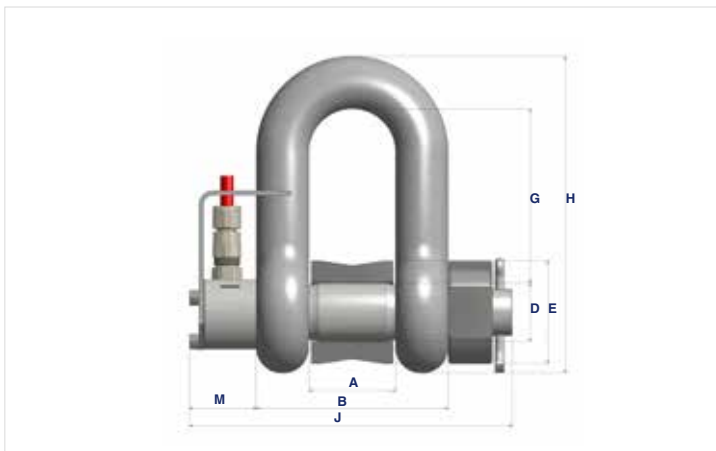
Due to continuous development, Scotload reserves the right to change specifications without notice.

Load shackle typical dimensions

Wireless load shackles



Cabled load shackles



Load shackles typical dimensions - bespoke design available on request

	8.5	12	17	25	35	55	85	120	150	200	300	400	500	600	700	800	900	1000
Load rating (tonnes)	8.5	12	17	25	35	55	85	120	150	200	300	400	500	600	700	800	900	1000
Approx weight bow (kg)	2.6	4.9	8.2	14.2	19.9	39.6	62	110	160	235	340	560	685	880	980	1100	1280	1460
Approx weight D (kg)	2.5	4.5	7.6	12.9	17.4	35.3	53	N/A	N/A	N/A	N/A	N/A	N/A	N/A	N/A	N/A	N/A	N/A
A mm	43	51	60	74	83	105	127	150	170	180	205	230	255	285	310	310	330	350
B mm	93	115	136	164	183	235	273	328	374	420	465	560	615	675	720	730	770	810
C mm	59	72	88	103	111	145	162	200	230	260	305	350	570	405	435	435	465	480
D mm	28	35	42	50	57	70	83	95	108	140	150	175	185	205	217	217	230	240
E mm	44	50	63	88	88	114	125	152	165	190	254	254	300	300	330	330	355	355
F mm	25	32	38	45	50	65	75	89	102	120	130	165	180	195	205	210	220	230
G mm (bow)	95	115	146	178	197	260	329	380	400	500	600	680	700	700	700	700	700	750
G mm (D)	85	94	127	149	171	203	339	N/A	N/A	N/A	N/A	N/A	N/A	N/A	N/A	N/A	N/A	N/A
H mm (bow)	164	201	249	300	331	433	527	617	671	813	958	1108	1158	1200	1231	1236	1268	1290
H mm (D)	154	180	230	271	305	376	427	N/A	N/A	N/A	N/A	N/A	N/A	N/A	N/A	N/A	N/A	N/A
I mm (bow only)	68	83	99	126	138	180	190	238	275	290	305	325	350	375	400	400	420	420
J mm (wireless)	224	274	304	338	361	410	454	482	535	615	665	762	817	912	957	967	1011	1020
J mm (cabled)	159	209	242	276	297	347	391	440	493	550	600	695	750	845	890	900	944	953
K mm (wireless)	200	200	200	200	200	210	220	N/A	N/A	176	203	N/A	N/A	N/A	N/A	N/A	N/A	N/A
K mm (cabled)	110	119	131	136	160	180	205	N/A	N/A	N/A	N/A	N/A	N/A	N/A	N/A	N/A	N/A	N/A
L mm (wireless)	100	100	100	100	100	110	120	N/A	N/A	80	100	N/A	N/A	N/A	N/A	N/A	N/A	N/A
L mm (cabled)	50	50	50	60	75	88	100	N/A	N/A	N/A	N/A	N/A	N/A	N/A	N/A	N/A	N/A	N/A
M mm (wireless)	119	119	119	119	121	118	118	92	92	115	115	117	122	127	127	127	127	127
M mm (cabled)	54	55	57	57	57	55	55	50	50	50	50	50	55	60	60	60	60	60

We are always happy to help find the appropriate, tailored solutions for your business needs. If you have any requests or suggestions please do not hesitate to contact us.

Scotload, Unit 14, Enterprise Drive, Westhill, Aberdeen, AB32 6TQ, UK